

# SLIDE GATE

## BEST QUALITY

All Valves are manufactured with utmost accuracy. Most of the parts manufactured in-house hence dependency on sub-vendors for quality and delivery is reduced.

## BEST PERFORMANCE

These low cost, compact valve offer best performance for years to go. It's simple yet robust design for both manual and pneumatic actuation makes it a perfect solution for handling dry solids.

## ORDER NOW

sales@fluidtecq.com

www.fluidtecq.com

(91) +251 262 0491

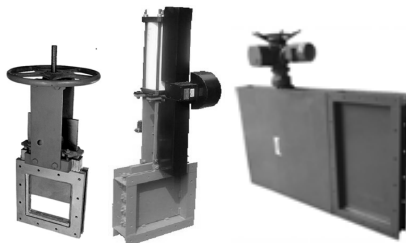
99700 68203/4/7

## Works-1 & Sales Office:

W-97, MIDC, Anand  
Nagar, Ambarnath (E)  
Dist: Thane, MH, IN

## Works-2:

G122, Udyog Vihar,  
Vithalwadi, Dist: Thane,  
MH, IN

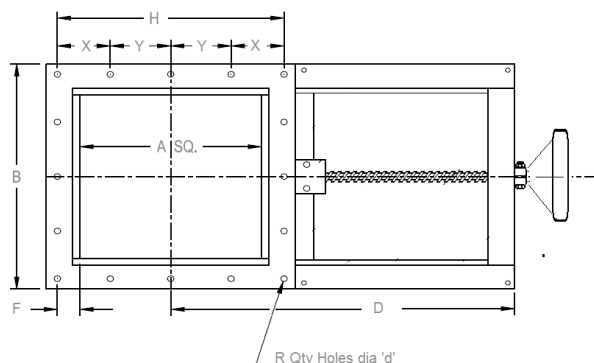


*Slide gate valves are used for bulk solids handling processes, shutting off or controlling flow for free flow powders, granules, cement and coal. They are also used for dust collection. These valves are designed to shut off product flow from outlets of storage bins, silos, conveyors, and other discharge points handling dry bulk materials.*

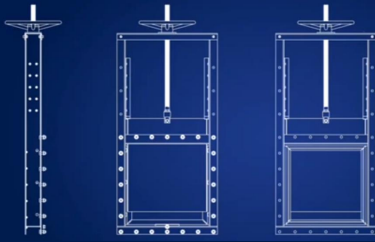
- Full bore opening offering free flow of product without any restriction.
- Ideal for dry bulk solids like powder, grains, pellets.
- Rising / Non-rising spindle
- No Jamming of any parts.
- Leak Tight.
- Simple compact design and construction
- Single frame/ Full Frame design
- Manual / Pneumatic / Motorised actuation

**FLUIDTECQ** SLIDE GATES Valves are constructed from heavy duty steel with a hardened ground blade which glides on cam rollers or solid guides. Actuation can be accomplished pneumatically for fast action, hydraulically for power, electrically for precise positioning, and manually for maintenance and flow control. Gate seals are selected according to the material being handled and are available to suit any application.

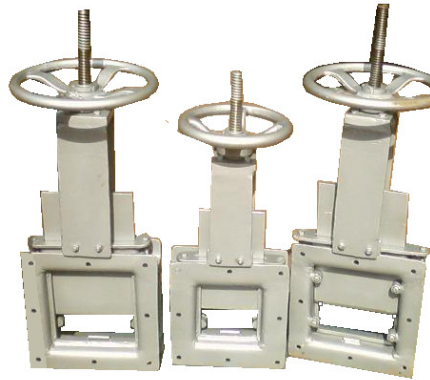
Body Material	MS (ISMC Sections) SS304, SS316
Gate	MS / SS304/SS316/SAIL HARD/ Nitrided plates
Spindle	EN8 / SS304
Rollers or Liners	Standard
Gland Packing	Cotton graphite rope/ Pure PTFE / Graphoil



Size	A	B	D	R	d	Wt (Kg)
150	150	270	349	8	11	33
200	200	318	430	8	11	36
250	250	360	505	16	13	45
300	300	411	583	16	13	58
350	350	463	667	16	13	71
400	400	540	745	16	13	85



## Service Features and Benefits



Manufacturing at FLUIDTECQ is a well planned process followed by appropriate quality control and inspection. Timely upgrading of machines, calibration of measuring instruments, documenting minutest of details for analysis and improving is an everyday affair.

FLUIDTECQ Slide gates are made with utmost accuracy and are very reliable. Our engineers design valve after collecting all technical information from the clients – hence each valve offered to the client is exactly suitable to the application.

Robust, yet easy to operate. No wonder these gates are also called GLIDE Gates

### TECHNICAL SUPPORT

From our wide range of Slide gates, which one suits your requirement? Feel free to call our technical support to know or drop us an email [info@fluidtecq.com](mailto:info@fluidtecq.com)

### SERVICE SUPPORT

We have an exclusive team of service engineers to fulfill your onsite service requirements.

For more information on any of our products or services please visit us on the Web at: [www.fluidtecqpneumatic.com](http://www.fluidtecqpneumatic.com)  
[www.fluidtecq.com](http://www.fluidtecq.com)

## Standard Accessories

- Double acting / Single Acting (Spring Return) Pneumatic Actuators – FLUIDTECQ make
- Solenoid Valves – 5/2 way or 3/2 way – with weatherproof / Flameproof Enclosures – CMRI Certified.
- Manual Overrides – Rack and Pinion for quick action/ Worm gear for heavy duty smooth action.
- Feedback switches – Limit switch/ Proximity switch – Jaibalaji / Proximon / Honeywell / Omron / P&F
- Electric actuators/ Chain wheel / Gear box / Hydraulic cylinder

### SERVICES AVAILABLE

[Technical Support](#)  
[Installation and Setup](#)  
[Maintenance](#)  
[Application Support](#)  
[Hardware Support](#)  
[Guaranteed Warranty](#)

\* Technology development is a continuous process at FLUIDTECQ. Hence always consult our sales office before considering the details given in this brochure.

**F FLUIDTECQ**  
**PNEUMATICS (P). LTD.**

Automation Simplified