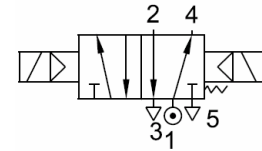


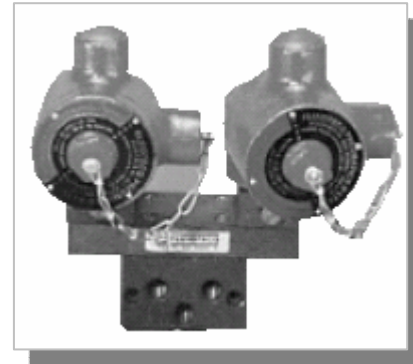
5/2 INTERNAL PILOT OPERATED DOUBLE SOLENOID POPPET VALVE

TYPE	PRESSURE
5P2L10D	2-10 bar



FEATURES

- Bubble tight shut off
- Suitable for high speed cycling
- Operation cycles upto 600 /min
- Life > 10 million cycles
- Mounts in any position
- Manual override with Locking arrangement

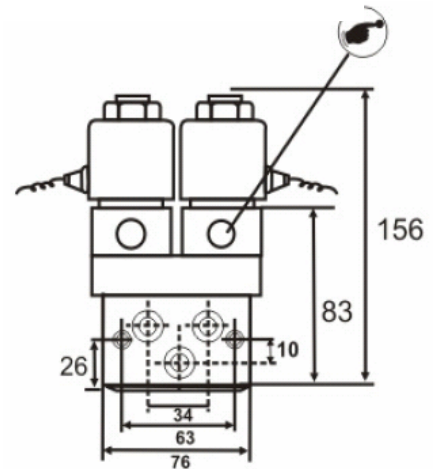


Valve is photographed with Flameproof Coils

WETTED PARTS

Body	Anodized Aluminium	SS316	Brass
Internals	Aluminium, Brass and SS304	SS316	Brass and SS316

Guide Assembly	SS304
Shadow Ring	Copper
Plunger, Plug	SS 430
Spring / Circlip	SS 302
Fasteners	SS 304
Seat / Seals	NBR, Viton



FLUID TEMPERATURE

-20 °C to 70 °C

MEDIA

Air, Inert Gas, Oil, Water

APPLICATION

Operation of double acting Cylinder / Actuator

PORT CONNECTION

INLET	OUTLET	OUTLET	EXHAUST	EXHAUST	PILOT EXHAUST
1	2	3	4	5	6